

## 5MP Smart Light IP Camera

CMSEFCV5R



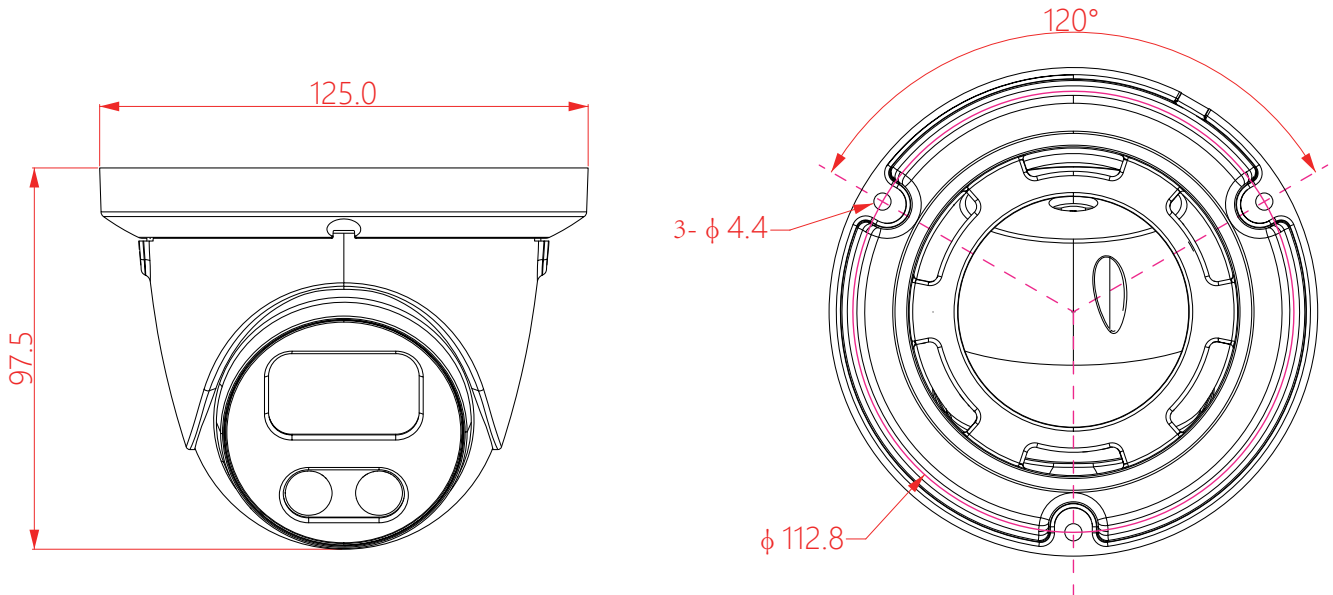
- DWDR
- With Internal POE
- 5MP@30fps/4MP@30fps/1080P@30fps/720P@30fps
- Intrusion Detection (based on human shape&vehicle detection)



Camera	
Image Sensor	1/2.7" Progressive Scan CMOS Sensor
Resolution	5MP
Effective Pixels	2968(H)*1674(V)
Compression	H.264/H.265/MJPEG
Audio Compression	G711A/U,AAC
TV System	PAL/NTSC
Electronic Shutter Time	Auto: 1/3-1/100000Sec
Minimum Illumination	Color: 0.01 Lux@(F1.6, AGC ON), B/W: 0 Lux with IR
S/N Ratio	60dB
Scanning System	Progressive
Video Output	Network
Reset Button	Optional
Lens	
Focal Length & FOV	2.8 mm, horizontal FOV 109°, vertical FOV 58°, diagonal FOV 129° 4 mm, horizontal FOV 91°, vertical FOV 47°, diagonal FOV 109°
Lens Type	Fixed focal lens, 2.8 and 4 mm optional
Focus Control	Fixed
Aperture	F1.6
Pixels	5MP
Night Vision	
Supplement Light	2PCS
Supplement Light Distance	40M
Supplement Light Status	Auto Control
Supplement Light Power On	Smart, Manual & Timed mode
Network	
Ethernet	RJ-45 (10/100Base-T)
Wireless	N/A
Protocol	TCP/IP, IPv4/v6, ICMP, HTTP, HTTPS, FTP, DHCP, DNS, DDNS, RTP, RTSP, RTMP, RTCP, PPPoE, NTP, SMTP, UDP, SNMP, Qos, 802.1x
ONVIF	Support ONVIF 24.12(Profile S/T/G/M)
P2P	YES
POE	Internal, Support IEEE 802.3af
Video Delay	300ms (Within the Lan)
Main Stream 1	2880*1620@30fps
Main Stream 2	2560*1440@30fps
Main Stream 3	1920*1080@30fps 1280*720@30fps
Sub Stream 1	1280*720@30fps
Sub Stream 2	720*480@30fps
Sub Stream 3	352*288@30fps
Tri Stream	N/A
IE Brower	Microsoft Edge, IE11, Google Chrome, Firefox, Mac Safari

Smart Phone	iPhone, Android
<b>AI Function</b>	
Intelligent Analysis	Intrusion Detetion(based on human and Vehicle Detection), Motion Detection(supports the detection based on human movement)
<b>Camera Features</b>	
Day/Night	Color/ B&W (IR-CUT )
Image Config	Saturation/Brightness/Contrast/Sharpness, Mirror, 3D NR, White Balance, Anti Flicker, Video Tampering, HLC, Distortion
Full Color	N/A
Corridor Pattern	N/A
Defog Mode	Support
ROI	Support
BLC	Support
WDR	DWDR
Motion Detection	Support(support enable the detection based on human and Vehicle movement)
Privacy Masking	3 Rectangular Zone
Recording Mode	NVR/CMS/Web
Language	Chinese Simplified, Chinese Traditional, English, Korean, Polish, French, Japanese, Spanish, Portuguese, Italian, Hebrew, Ukrainian, Arabic, Vietnamese, Thai, Hungarian, Czech
<b>Interface</b>	
Audio	Default: Without Option: Built in Mic Option: Audio In Option: Audio I/O
Alarm	N/A
SD Card Slot	Default: Without Option: External SD card slot (Max 512GB)
RS485	N/A
<b>General</b>	
Housing	Metal, IP67
Anti-cut Bracket	NO
IR Cut Filter	YES
Operation Temperature	-30℃ ~ +80℃ RH95% Max
Storage Temperature	-30℃ ~ +80℃ RH95% Max
Power Source	DC12V±10%, 700mA
Dimension	∅ 125 x 90.2(H) mm
Weight (N.W./G.W.)	Approx. 508 g / Approx. 682 g

## Dimensions (mm)



## Optional Accessories



B245  
Side Bracket